



# **SIGNATURE LRF**

BINOCULAR USER MANUAL



## **TABLE OF CONTENTS**

|  |           |
|--|-----------|
| <b>Safety and Operation Precautions .....</b>      | <b>3</b>  |
| <b>Product Map .....</b>                           | <b>5</b>  |
| <b>Internal Display Element .....</b>              | <b>6</b>  |
| <b>Eyepiece Adjustments .....</b>                  | <b>7</b>  |
| <b>Battery.....</b>                                | <b>7</b>  |
| <b>Mode Set Up / Operation.....</b>                | <b>8</b>  |
| <b>Internal Display Brightness / Options .....</b> | <b>10</b> |
| <b>Ranging.....</b>                                | <b>12</b> |
| <b>LOS vs. HOR and Angle Compensation.....</b>     | <b>13</b> |
| <b>Specifications.....</b>                         | <b>15</b> |
| <b>Problems and Solutions.....</b>                 | <b>16</b> |
| <b>Care and Maintenance.....</b>                   | <b>17</b> |
| <b>Warranty.....</b>                               | <b>18</b> |

## SAFETY AND OPERATION PRECAUTIONS

The Burris Signature LRF Binocular employs an eye safe FDA Class 1 Laser in its operation. Outside of the United States, the IEC is the governing body over laser products and has classified the Burris Signature LRF Binocular as Class 3R. Even so, there are a few precautions that are important to remember:

- Do not depress the POWER button while aiming at a human eye or while looking into the optics from the objective side
- Do not leave the Signature LRF Binocular within the reach of small children
- Do not take the product apart as it may cause an electric shock
- Do not attempt to use any power source other than a CR2 battery (or equivalent) - the Burris Signature LRF Binocular is designed to prohibit accessing any other external power supply.

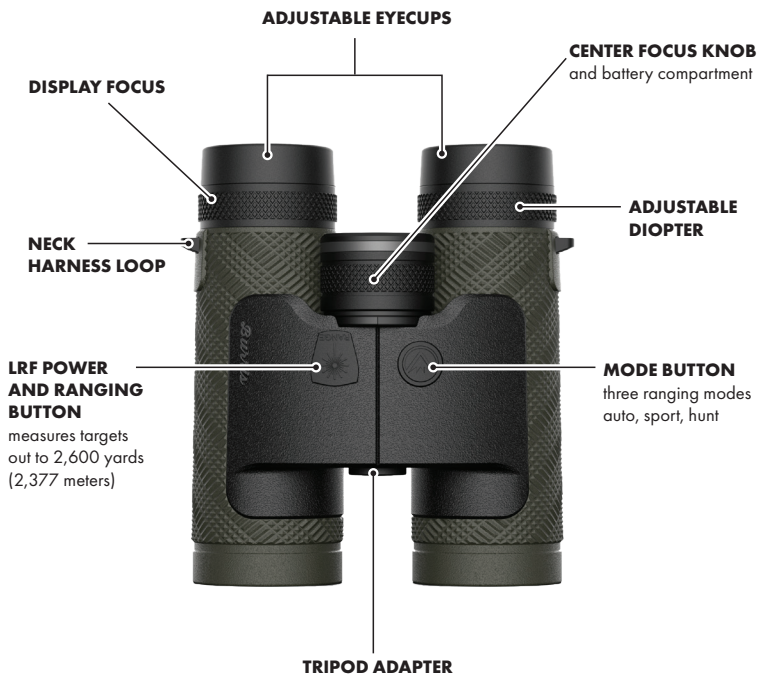


## CONGRATULATIONS

Thank you for purchasing a Burris® Signature LRF Binocular. This compact optic combines laser rangefinding capability with high performance HD lenses, letting you quickly determine a precise distance to your target with the push of a button.

- The laser measures targets out to 2,600 yards or 2,377 meters.
- Three ranging modes for maximum precision: Auto, Sport and Hunt.
- Distances can be displayed as line-of-sight or horizontal with angles of degree.
- The Signature LRF Binocular is nitrogen-filled for waterproof, fog proof performance.
- Outer surfaces are rubber armored for protection and a sure grip.
- Adjustable focus knobs ensures a clear view of the target and the reticle.

# BURRIS SIGNATURE LRF BINOCULAR



## EYECUP ADJUSTMENT

The eyecups on the Signature LRF binoculars are adjustable to ensure a full field of view. Twist the eyecups up for normal use, or turn them down when wearing eyeglasses or sunglasses.

## INTER-PUPILLARY DISTANCE (IPD) ADJUSTMENT

The Inter-pupillary Distance or IPD is the distance between the center of your left and right eye. Setting the IPD is simple and easy. The two binocular barrels pivot on a hinge to match your eyes. Move the barrels in and out until you see a single field of view with no clipping of the edge.

## INSTALL BATTERY

The LRF Binocular is powered by a CR2 lithium battery. The battery compartment is located in the center focus knob. Open the battery compartment and install the battery - negative end facing out.



**INSERT CR2 BATTERY  
WITH -NEGATIVE END  
FACING OUT**

## **FOCUSING THE BINOCULAR**

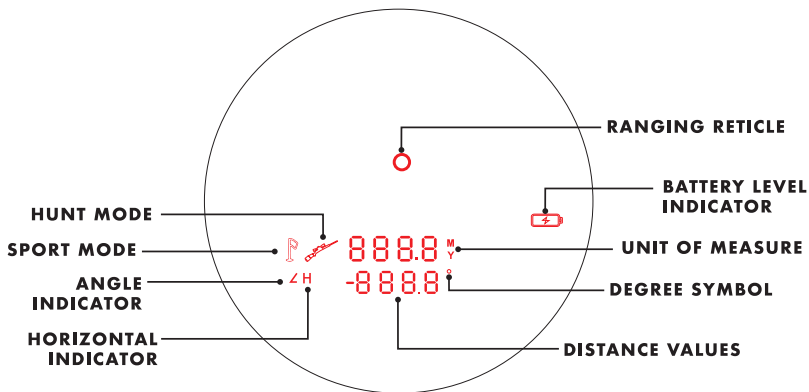
Your Signature LRF Binocular can be set up for your eyes with two simple steps. For best results keep both eyes open and use included eyepiece covers or hand to make adjustments.

1. Find the diopter adjustment ring located below the left eyecup. Start with the diopter adjustment set to zero with the two hash marks aligned.
2. Focus on an object approximately 25 yards away. Place the lens cap on the objective of the left side and use the center focus knob to bring the view into sharp focus. Leave the center focus knob in this position while you adjust the diopter.
3. Uncover the objective lens on the left side and cover the right objective lens while looking at the same object.
4. Turn the diopter ring to bring the view into sharp focus. To fine tune the focus, you might have to turn the diopter slightly past sharp focus and then back again. The diopter focus only affects the left side. You will not need to adjust the diopter once this is complete.
5. Press the Range button to turn on the binocular.
6. While viewing the display with your right eye, adjust the display focus knob until the display is sharp. You will not need to adjust the display focus once this is complete.

Once you have the diopter and display focused, you can now use the center focus knob for all viewing and adjustments.

## INTERNAL DISPLAY ELEMENTS

The internal display on the Signature LRF Binocular will display the ranging reticle, distance to the target, measurement units (yards or meters), target angle, low battery indicator and ranging modes.



## INTERNAL DISPLAY BRIGHTNESS

The brightness of the display can be adjusted for optimal viewing in bright or dark situations. To change the brightness settings, press the Power button to choose levels from 1 to 5. To select the desired level, press the Mode button. After selecting a brightness the LRF will return to normal operation.



## MODE SETUP

### Settings Menu

To power on press the range button. Then to access the settings menu, press and hold the Mode button for 2 seconds. The first menu screen to appear is the Ranging Mode selection. Press the Power button to change the active menu setting option. The selected setting will flash.

Press the Mode button to select the current setting and advance to the next menu option. To exit the settings mode at any time, press the Mode button for 2 seconds or wait for 12 seconds to automatically return to normal ranging operation.

## MODES OF OPERATION

Once you have accessed the settings menu, press the Power button to select between Auto, Sport or Hunt modes.

**A u t o**

Auto Mode – displays the range of the target with strongest signal



Sport Mode – displays the range of the closest target in a group. This mode has a short delay when ranging.



Hunt Mode – displays the furthest range of a group of target. This is useful when ranging through branches or tall grass.

## DISPLAY OPTIONS

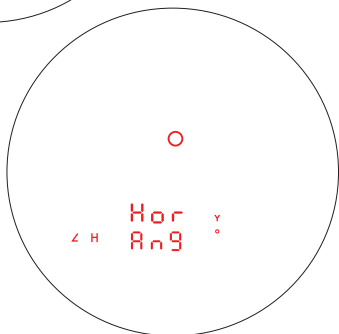
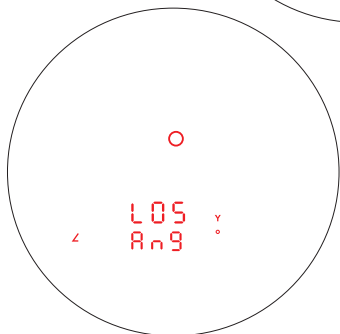
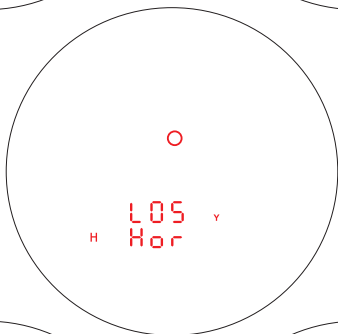
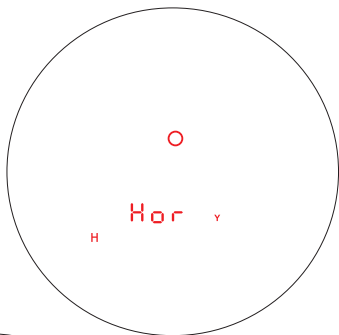
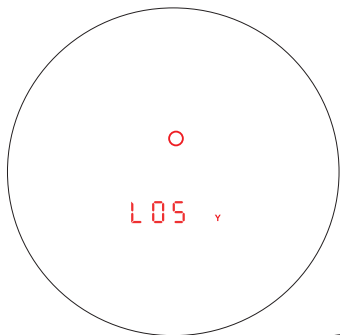
There are five display options:

- LOS - line-of-sight only
- HOR – horizontal distance only
- LOS and HOR – line-of-sight and horizontal
- LOS and ANG – line -of-sight and angle  
(+ above horizontal, - below horizontal)
- HOR and ANG – horizontal and angle  
(+ above horizontal, - below horizontal)

The factory default is line-of-sight.

## UNIT DISPLAY

Ranged distances can be in Yards or Meters. The default selection is Yards. To change the units, press the Power button to select between the Yards or Meters. Press the Mode button to make your selection.



## **RANGING**

### **Ranging Activation**

To activate the LRF Binocular, press the Range Button on the top. The ranging reticle will appear in the internal display.

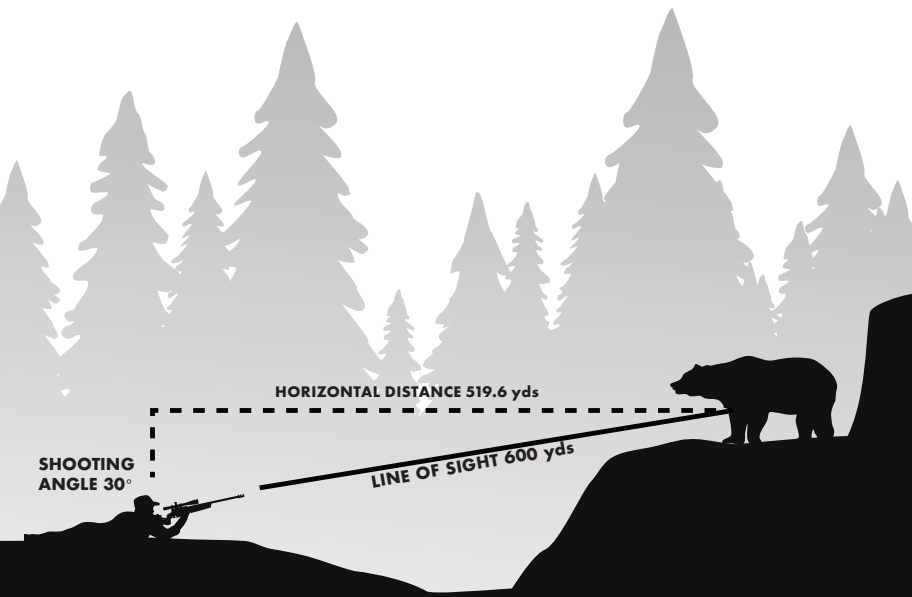
### **Single Measurement**

Place the small circle of the reticle on the object or target you want to range and press the Range Button once more. The distance to the target will be shown in yards or meters. Highly reflective and larger targets are easier to range. If you have difficulty getting a range, try ranging an object close to your target (tree, rock, bush)

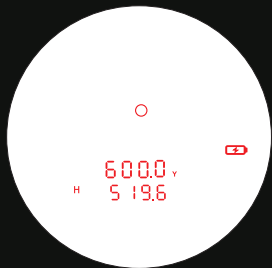
### **Continuous Measurement (Scan Mode)**

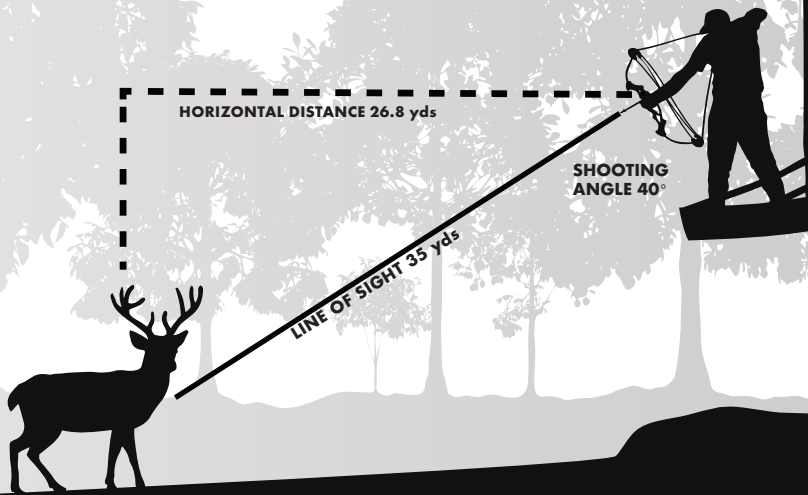
To activate continuous ranging, press and hold the power button. Continue to hold down the Power button while tracking your target.

To conserve the battery, the display will automatically power off after 10 seconds.

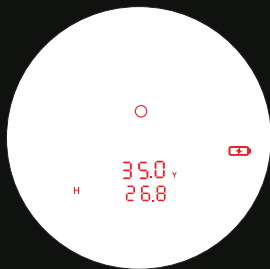


KNOW YOUR TARGETS PRECISE DISTANCE





ANGLE COMPENSATION FOR THE MOST ACCURATE SHOT PLACEMENT



## SPECIFICATIONS

### MEASURE RANGE

|                     |               |
|---------------------|---------------|
| Effective.....      | 12 – 2600 yds |
| Reflective.....     | 2600 yds      |
| Non reflective..... | 1600 yds      |
| Deer/Game.....      | 1100 yds      |
| Minimum Range...    | 12 yds        |

### ACCURACY

|                    |
|--------------------|
| ±1 yd ≤ 1,000 yds  |
| ±2 yds > 1,000 yds |

|                        |                          |
|------------------------|--------------------------|
| Magnification          | 10x                      |
| Objective Diameter     | 42mm                     |
| Field of View @ 100 yd | 334 ft.                  |
| Eye Relief             | 16mm                     |
| Angle Range            | ±70°                     |
| Diopter Adjustment     | +/- 3.5                  |
| Dimensions             | 6.0 in x 5.5 in x 2.7 in |
| Weight                 | 36 oz.                   |
| Operating Temperature  | 5°F to 131°F             |
| Power Source           | CR2 Lithium Battery x1   |
| Battery Life           | 2000 ranges              |
| Laser Classification   | Class 1                  |

The Signature LRF Binocular is designed to provide trouble-free operation, but if it fails to function, try these steps before returning to Burriss for warranty repair.

| <b>PROBLEM</b>              | <b>SOLUTION</b>  |
|-----------------------------|--|
| Does not turn on            | <ol style="list-style-type: none"><li>1. Press and hold Power Button</li><li>2. Check the battery to make sure it is properly installed</li><li>3. Replace if necessary</li></ol>  |
| Cannot see internal display | <ol style="list-style-type: none"><li>1. Check brightness display settings</li></ol>   |
| Unable to range the target  | <ol style="list-style-type: none"><li>1. Check for objects in the way of laser signal</li><li>2. Clean objective lens</li><li>3. Check mode settings</li><li>4. Try ranging a large object, nearby object (i.e., a building)</li><li>5. Certain ambient conditions such as heavy snow, fog, or heavy rain can prevent an accurate range.</li></ol> |



## CARE & MAINTENANCE

The Signature LRF Binocular is fully waterproof and fogproof. In the event that the lenses are subjected to dust, dirt or mud, follow these steps to clean and protect the lens surface. Failure to remove grit before final cleaning can damage lens coatings.

Coarse dirt/debris must be removed from the lens surface. The most convenient way to clean a lens surface is to use a Lens Pen. Position the scope so particles will fall away from the lens, and then use the Lens Pen or soft brush to gently whisk away the debris while blowing on the lens to dislodge the particles. Canned air or an air compressor will help clear off any dust particles. For heavy dirt, like dried mud, use a spray of clean water or lens cleaning fluid to remove the dirt.

Your Burris optic will provide reliable performance given reasonable care and treatment. All moving assemblies are permanently lubricated. Only occasional cleaning of the outside of the unit and the exterior lenses is required. Never disassemble your Signature LRF Binocular. Disassembly by anyone other than our factory will void the warranty. If you have any other problems, contact Burris Customer Service.

## WARRANTY

This Signature LRF Binocular is covered by the Burris Forever Warranty™



You can be confident that the optic you purchased is built to the most exacting standards. You can count on Burris to perform every time you use it. We're so confident in the craftsmanship of our products that we back them with a no questions asked Forever Warranty.

We will repair or replace your Burris optic if it is damaged or defective. The warranty is automatically transferred to future owners.

- No repair or replacement charge
- No warranty card needed
- No receipt needed
- No questions asked



## BurrisConnect



SCAN FOR DOWNLOAD

Download the BurrisConnect app for free access to our ballistic tools, manage Burris app-compatible optics, watch how-to videos, and keep current on all our new products. Available now on Apple Store and Google play.



*Burris*

**BURRIS COMPANY**

331 East 8th St.,

Greeley, CO 80631

888-440-0244

[BURRISOPTICS.COM](http://BURRISOPTICS.COM)

[Facebook.com/BurrisOptics](https://www.facebook.com/BurrisOptics)

INSTR-0299