



Burris



SIGNATURE HD SPOTTING SCOPE

User Guide

This user guide includes information for the Signature HD Spotting Scope. Please review thoroughly and pay close attention to the details pertaining to your Spotting Scope.

Congratulations on purchasing a **Burris Signature HD Spotting Scope**. With its 20-60x magnification, you will take your glassing to a higher level.

The HD lenses and apochromatic lens system give you the advantage in the field by eliminating color fringing and delivering edge-to-edge resolution at any magnification.

Backed by the legendary Burris Forever Warranty, you will enjoy the following features of your Signature HD spotting scope:

- Built-in sun shade for reduced glare and protection from rain and snow
- The new centrally located focus ring allows for rapid focus and a more streamlined design
- Adjustable eyecup to accommodate eyeglasses
- Lightweight, durable design with a die-cast magnesium body that is armored for even greater protection in the field.
- Angled eyepiece and rotating tripod mount make it easy to use whether you're standing or prone.
- ARCA-Swiss compatible tripod mount
- M-LOK attachment points for accessories such as Red Dots or Range Finders.



WATERPROOF



SHOCKPROOF



NITROGEN-FILLED



FOGPROOF



SIGNATURE HD SPOTTING SCOPE

PRODUCT MAP



20-60x85mm



Burris

Setting Up Your Spotting Scope For Use

To attach the eyepiece to the scope, remove the lens covers from the eyepiece and the spotting scope. Align the magnification reference mark (▲) on the eyepiece with the red dot on the bayonet fitting on the scope. Insert the eyepiece and turn it clockwise until you hear a click.



To detach the eyepiece, find the release tab on the underside of the eyepiece. Hold down while turning counter-clockwise. To prevent scratches to the lenses or dust on the lens surface, replace both covers.



30X Wide Angle Eyepiece (Sold Separately)

Burris offers an accessory eyepiece with a fixed power 30x magnification. Ideal for tactical and precision shooting, it is available with either an SCR Mil or SCR MOA reticle.



SCAN TO VIEW
PRODUCT

Mounting the Spotting Scope To a Tripod

For use in the field or at the range, the Signature HD can be mounted to a tripod or car window mount. The tripod foot has an integrated design to work with any tripod head or quick-release plate that uses 1/4" - 20 screw threads.



The tripod foot is also ARCA-SWISS compatible, eliminating the need to purchase ARCA-SWISS mounting plates.

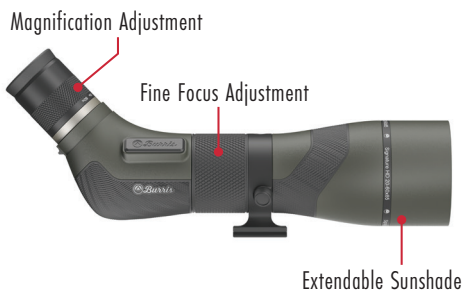
Using Your Spotting Scope

The adjustable eyepiece provides a wide range of magnification from 20x to 60x. The magnification settings are shown on the magnification adjustment ring. Turn the ring and set the desired magnification using the silver arrow on the eyepiece.

Remember that your field of view is reduced as magnification is increased. It might be easier to start with a lower power and then zoom for greater detail.

Viewing Tips:

- To increase the magnification, turn the eyepiece to the left or counter-clockwise.
- To decrease magnification, turn the eyepiece to the right or clockwise
- When using eyeglasses or sunglasses, twist the eyecup down for optimal viewing.



Focusing Your Spotting Scope

In order to prevent eye fatigue, it is necessary to adjust the focus as precisely as possible.

Here are steps for achieving the sharpest possible image:

- Set the magnification by turning the magnification adjustment ring
- Slowly turn the focus dial until the subject is clearly in focus

Extendable sunshade

The integrated sunshade can be used to block stray light and reduce glare. To use the sunshade, just slide the hood forward. This also provides some protection from rain and snow.

Adjust The Viewing Angle

For greater flexibility, the Signature HD can be adjusted for more comfortable viewing. Whether you are standing, sitting or prone, adjusting viewing angle is quick and simple by following these steps.



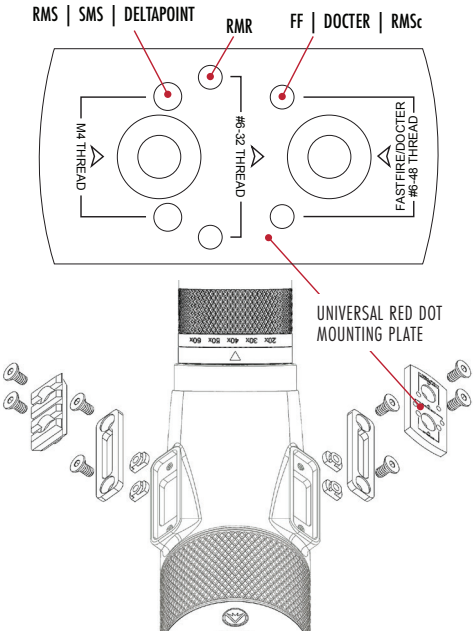
- Loosen the thumbscrew on the mounting collar by turning to the left or counter-clockwise
- Rotate spotting scope body to the most comfortable viewing position.
- Hold the scope body in place and tighten the thumbscrew by turning to the right or clockwise.



M-LOK ACCESSORY MOUNT

Remove the rubber covers engraved with the Burris logo, located on either side of the scope body, just in front of the eyepiece to expose the M-LOK slots.

The M-LOK will accept any M-LOK compatible accessory that fits within the one slot, including a 3-slot picatinny rail or the included universal red dot mounting plate.



Mounting a FastFire

The FastFire makes aiming and target acquisition much easier. Mount the FastFire to the included Red Dot mounting plate using the instructions included with the FastFire. Center your spotting scope field of view on a target or known object and sight your FastFire to the same target or object. Now you can quickly get on target using your Red Dot. (FastFire sold separately)

Care & Maintenance

The Signature HD spotting scope is fully waterproof and fogproof. In the event that the lenses are subject to dust, dirt or mud, follow these steps to clean and protect the lens surface. Failure to remove grit before final cleaning can damage lens coatings.

Coarse dirt/debris must be removed from the lens surface. The most convenient way to clean a lens surface is to use a Lens Pen. Position the scope so particles will fall away from the lens, and then use the Lens Pen or soft brush to gently whisk away the debris while blowing on the lens to dislodge the particles. Canned air or an air compressor will help clear off any dust particles. For heavy dirt, like dried mud, use a spray of clean water or lens cleaning fluid to remove the dirt.

Your Burris spotting scope will provide reliable performance given reasonable care and treatment. All moving assemblies are permanently lubricated. Only occasional cleaning of the outside of the scope and the exterior lenses is required. Never disassemble your spotting scope. Disassembly by anyone other than our factory will void the warranty. If you have any other problems with your spotting scope, contact Burris Customer Service.



**SCAN TO ACCESS OUR
CUSTOMER SERVICE PORTAL**



SIGNATURE HD SPOTTING SCOPE 20-60X85mm SPECIFICATIONS

| | | |
|---------------------------------|---------------|--------------|
| Item Number | 300103 | |
| MAGNIFICATION | High | 60 ± 5% |
| | Low | 20 ± 5% |
| OBJECTIVE DIAMETER | 85mm | |
| FINISH | Black / Green | |
| FOV (FT @ 1000 YD) | High | 55 ± 3% |
| | Low | 110 ± 3% |
| EYE RELIEF | High | 18 mm ± 5% |
| | Low | 19.7 mm ± 5% |
| FOCUS | Fine Focus | |
| LENGTH (ZERO DIOPTR) | 16.25 in. | |
| WEIGHT | 70.4 oz | |
| STORAGE TEMP | -5°F to 150°F | |
| OPERATING TEMP | 5°F to 140°F | |
| WATERPROOF | IPX7 | |

Warranty

**This Signature HD Spotting Scope
is covered by the
Burris Forever Warranty™**



You can be confident that the optic you purchased is built to the most exacting standards. You can count on Burris to perform every time you use it. We're so confident in the craftsmanship of our products that we back them with a no questions asked Forever Warranty.

We will repair or replace your Burris optic if it is damaged or defective. The warranty is automatically transferred to future owners.

- No repair or replacement charge
- No warranty card needed
- No receipt needed
- No questions asked



Burris Company
331 East 8th St., Greeley, CO 80631
(970) 356-1670
BurrisOptics.com
Facebook.com/BurrisOptics

INSTR-9103